



JUBAILI BROS



CUSTOMIZED SOLUTIONS



2000+ GENERATING SETS, ENGINES AND ALTERNATORS IN STOCK



2500 SQ. METERS DEDICATED AREA FOR PARTS STORAGE



HIGHLY TRAINED ENGINEERS & TECHNICIANS

YOUR PARTNER IN POWER

Jubaili Bros is ISO 9001 Certified



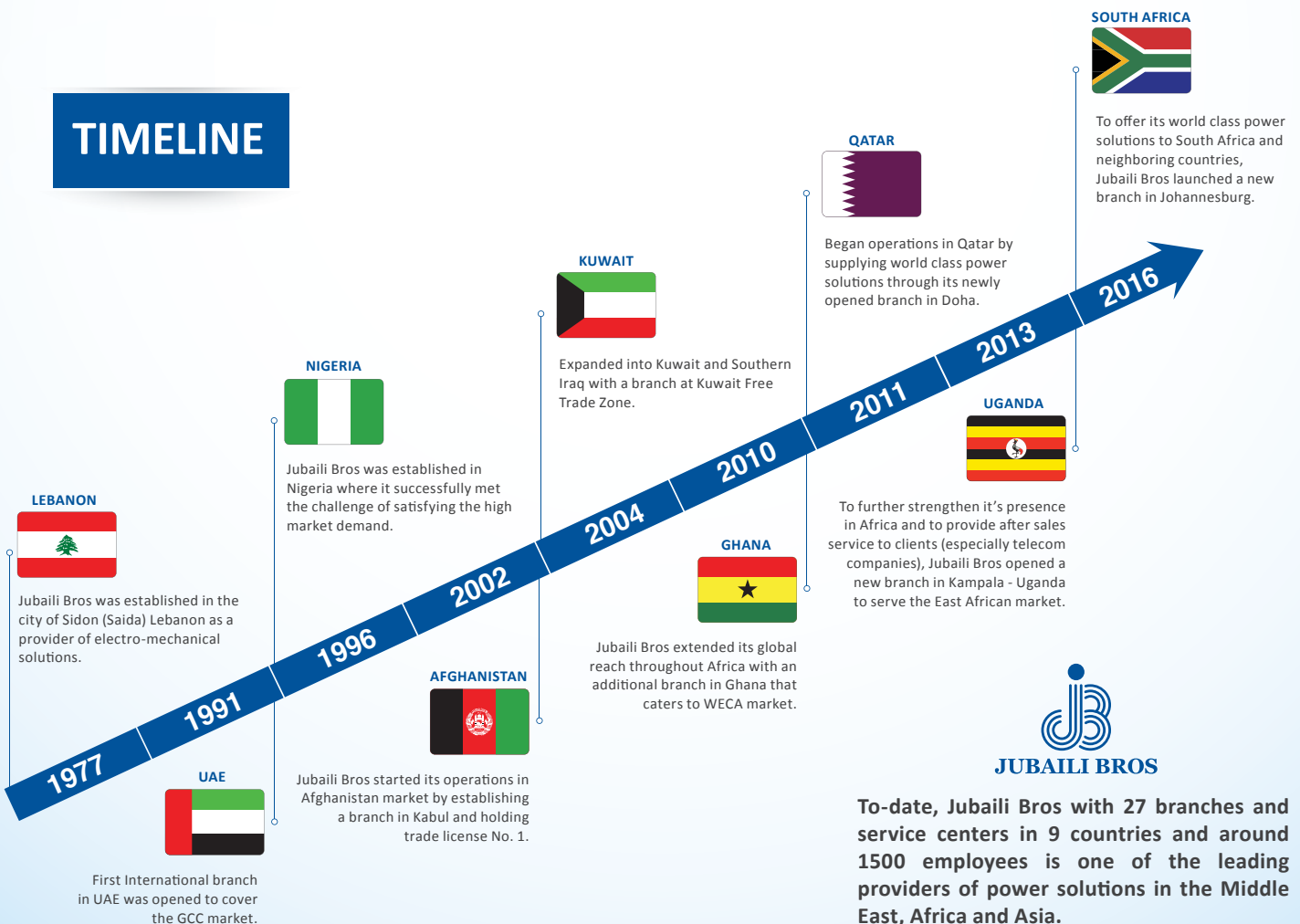


ABOUT US

LEBANON HEADQUARTER

Jubaili Bros, a leading supplier of power solutions, serves its customers throughout the Middle East, Africa and Asia. One key factor that sets Jubaili Bros apart from other providers is the company's dedication to customer satisfaction, backed with 40 years of experience in the electromechanical field.

TIMELINE



JUBAILI BROS

To-date, Jubaili Bros with 27 branches and service centers in 9 countries and around 1500 employees is one of the leading providers of power solutions in the Middle East, Africa and Asia.

 Perkins®

Diesel Power

JET & MARAPCO BRAND DIESEL GENERATOR SETS ARE POWERED BY PERKINS ENGINES



Perkins is a world leader in the innovation, design and production of a wide range of state - of - the - art Engines, manufactured at various plants in the United Kingdom. Perkins Engines are known the world over for their fuel - efficiency, ruggedness and reliable operation under all conditions.

**WE CONTINUE TO OFFER COMPLETE POWER SOLUTIONS
TO OUR VALUED CUSTOMERS THROUGH WELL KNOWN
AND TRUSTED BRANDS.**

Jet[®]
Generators

Marapco[®]

 Perkins®
Diesel Power

**LERROY
SOMER**


DSE

ABB



ASSEMBLED BY JUBAILI BROS



MADE IN UK

50HZ & 60HZ

12.5 KVA - 2500 KVA

Jubaili Bros Diesel Power Generators are powered by Perkins engines and coupled with alternators from Leroy - Somer, ranging up to 2500 KVA. We offer two brands: Marapco and JET which are of international standards, delivering highest quality and supported by Jubaili Bros proven years of unsurpassed, reliable and consistent service. Our highly qualified engineers and technicians promoting a line of quality products have made a commitment to Customer Satisfaction which makes Jubaili Bros Your Partner in Power.

Our generating sets offer superior quality at reasonable cost, catering to a wide range of Jubaili Bros' clients all across the globe. Built and assembled according to International quality standards, these Gensets are constructed to be a durable machine that can be relied upon to service a wide range of power solution needs.

Our Diesel Generators are covered with one year warranty against manufacturing defects, which is in line with manufacturer's warranty terms and conditions.

Jet Diesel Generators meets the following standards: BS4999, BS5000, ISO3046, IEC 60034, NEMA MG 1.22 and ISO 8528.

Marapco Diesel Generators meets the following standards: ISO8528, BS4999, ISO3046, BS60034, ISO12100, BS60439, BS953:1997+A1



SOUND ATTENUATED & WEATHER PROTECTIVE ENCLOSURES

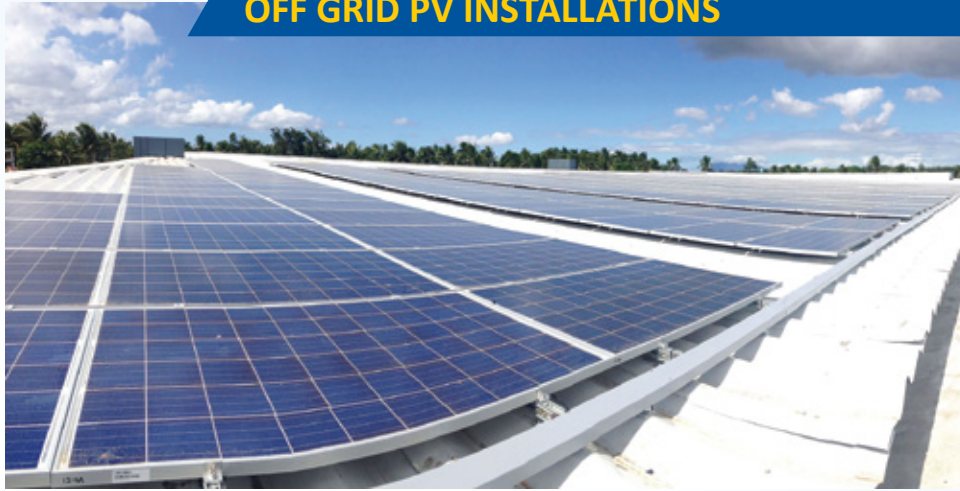


POWERED BY

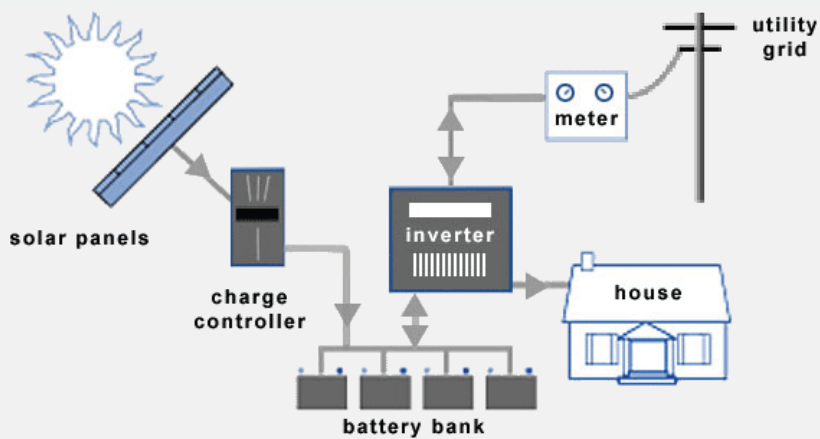
RENEWABLE ENERGY - SOLAR

OFF GRID PV INSTALLATIONS

- Installation of rooftop and ground mounted PV systems and connecting them to grid following the available regulations at the country of application.



OFF GRID PV INSTALLATIONS



- Off grid systems with different capacities available for domestic and small commercial applications

HYBRID PV-DIESEL SOLUTIONS

- Hybrid systems for off grid commercial , industrial applications and remote communities





MOBILE LIGHT TOWERS

Marapco Light Towers offer complete lighting solutions for a wide array of applications and are tested under harsh conditions to withstand the rough environments common on different sites. Marapco Light Towers combine quality and performance to deliver a superior product, making it a market leading lighting tower throughout the Middle East, Asia & Africa.



SPARE PARTS AND ACCESSORIES

As a market leader of diesel electric power generators, Jubaili Bros' inventory of genuine spare parts is unsurpassed. We supply a complete range of high quality Perkins spare parts for diesel generators. Our computerized re-fill system enables us to regularly monitor our stock levels, ensuring we have the required spare parts to meet our customers' needs.



ATS & SYNCHRONIZING SOLUTIONS

Jubaili Bros offers superior quality ATS (AUTOMATIC TRANSFER SWITCH) that automatically transfers load from Main power to emergency power without operator intervention. Our offering includes Socomec innovative power solutions as well. In addition, a wide range of synchronizing systems are professionally assembled as per customers' specific requirements and needs.



CONTROL MODULES

Jubaili Bros offers DSE extensive range of generator controllers. These easy to use control modules have established an enviable reputation for delivering unrivalled functionality. Whether it's a simple Manual Start Control Module or a complex Synchronising Controller with Advanced PLC Functionality that is required, DSE have the right solutions and are consistently developing products that surpass customers' requirements and expectations.



LOAD BANKS

Jubaili Bros resistive load banks feature Helidyne (TM) resistive elements. These elements are made of a corrosion resistant chromium alloy and are fully supported across their entire length on stainless steel support rods with segmented ceramic insulators. Elements are carefully selected to operate at low temperatures to provide extended, reliable performance, eliminating the need for a "cool down" period after load bank operation.



ABB PRODUCTS

Our ABB Low Voltage Products range includes, but is not limited to:

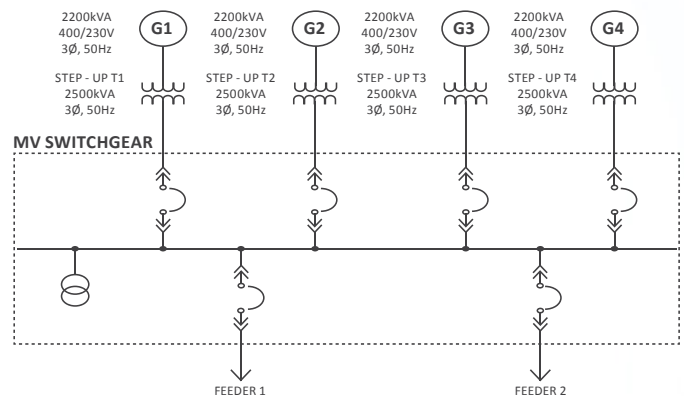
- Automation Devices & Low Voltage Systems - IEC/NEMA
- Circuit Breakers, Modular DIN Rail Products
- Control Panels & Enclosures, Motors, Soft Starters & Drives
- Industrial Plugs & Sockets, Switches & Fuse - Gear
- Installation Products
- Terminal Blocks and many more...



With over 700 highly trained engineers and technicians, Jubaili Bros prides itself in offering excellent after sales service. We have an extensive fleet of fully equipped service vehicles on call 24/7, ensuring our clients' businesses and residences experience minimal power outages in the event of an emergency. JB's customers can rest assured that their machines are maintained for optimum performance and maximum life cycle.

POWER SOLUTIONS

WE PROUDLY OFFER A WIDE RANGE OF LOW & MEDIUM VOLTAGE PRODUCTS, TECHNICAL KNOW-HOW AND EXPERIENCE TO BRING YOUR PROJECTS TO LIFE



SINGLE LINE DIAGRAM

Built on a strong foundations of high business standards and superior quality products, Jubaili Bros prides itself in setting the standards for reliable and trust worthy solutions for special requirements. We are always ready to provide our customers with diverse and customized solutions to meet all electric power distribution and transmission needs; in a smart and safe manner.

TURNKEY SOLUTIONS

- Supply equipment for LV and MV transmission and distribution
- Rehabilitation and upgrade of exiting systems
- Design and develop our own solutions to fit with customer needs

MV PRODUCTS

THE EXTENSIVE OFFERINGS INCLUDE BUT ARE NOT LIMITED TO:

- Power & Distribution Transformers 50 - 5000 KVA up to 24 kV
- Ring Main Units
- Switchgears [Indoor & Outdoor with SCADA]
- Power Cables LV & MV
- Termination Kits [Commissioning and Installation]
- Metal and Concrete Poles
- Transmission Poles and Towers
- Overhead Conductors & Accessories [ACSR, ACCR, ABC]
- Switches, Disconnectors, Sectionalizers & Fused Cutouts
- Test & Measuring Equipments
- Energy Meters



CONTACT US



LEBANON

SAIDA - HEADQUARTER

Jubaili Building, Maarouf Saad Boulevard, P.O. Box 60, Saida
T: +961 7 730871 F: +961 7 720813 E: jblebanon@jubailibros.com

BEIRUT - Corniche El Mazraa, P.O. Box 113/7044

T: +961 1 307336 F: +961 1 304110 E: jbbeirut@jubailibros.com

JDEIDET EL METN - Yameen Center, Jdeideh Blvd.

T: +961 1 891110 F: +961 1 891110 ext. 405 E: jbjdeideh@jubailibros.com

TRIPOLI - Maarad Achir El Dayeh St.

T: +961 6 411015 F: +961 6 411015 ext. 618 E: jbtripoli@jubailibros.com

TYRE - Jal El Baher

T: +961 7 343642 F: +961 7 343643 E: jbtyre@jubailibros.com



UAE

JEBEL ALI FREE ZONE

Street No. 1241B, Between R/A - 12 & 13, P.O. Box 16520
T: +971 4 8832023 F: +971 4 8832053 E: jbdubai@jubailibros.com

DUBAI - Al Jadaf Dry Docks, Warehouse No. 80, P.O. Box 16520

T: +971 4 3242544 F: +971 4 3242545 E: jbdubai@jubailibros.com

ABU DHABI - Musaffah Industrial Area, 2nd right after signal
(in front of Porsche showroom), P.O. Box 9310

T: +971 2 5542966 F: +971 2 5541966 E: jb.abudhabi@jubailibros.com



NIGERIA

IKEJA

Jubaili Building, Plot 2, Ikosi Road, Oregun, Ikeja, Lagos State
T: +234 81 40 111 111 E: jb.ikeja@jubailibros.com

VICTORIA ISLAND - 291 Muri Okunola Street, Victoria Island, Lagos State

T: +234 81 40 222 222 E: jb.vi@jubailibros.com

APAPA - 23 Warehouse Road, Apapa, Lagos State

T: +234 81 40 333 333 E: jb.apapa@jubailibros.com

PORT HARCOURT - 111 Trans Amadi Industrial Layout, Port Harcourt,
Rivers State T: +234 81 40 444 444 E: jb.phc@jubailibros.com

KANO - 4 Bompai Road, Kano, Kano State

T: +234 81 40 555 555 E: jb.kano@jubailibros.com

IBADAN - 14 Ring Road, Ibadan, Oyo State

T: +234 81 40 666 666 E: jb.ibadan@jubailibros.com



UGANDA

KAMPALA

Plot 2-4, 7th Street Industrial Area, P.O. Box 515 Ntinda
T: +256 776999920 / +256 779443360 E: jb.uganda@jubailibros.com



AFGHANISTAN

KABUL

Yaka-Toot, Jalal Abad Road
T: +93 777753000 / +93 777752000 E: jbafig@jubailibros.com

KANDAHAR

T: +93 777753000 / +93 777735720 / +93 777738802
E: jbafig.kdh@jubailibros.com

HERAT

T: +93 777753000 / +93 777735720 / +93 777738829
E: jbafig@jubailibros.com

MAZAR-E-SHARIF

T: +93 777753000 / +93 777735720 / +93 777735716
E: jbafig@jubailibros.com

JALALABAD

T: +93 777753000 / +93 777735720 / +93 777738825
E: jbafig@jubailibros.com

KUNDUZ

T: +93 777753000 / +93 777735720 / +93 777738828
E: jbafig@jubailibros.com

KHOST

T: +93 777753000 / +93 777735720 / +93 777735725
E: jbafig@jubailibros.com

GHAZNI

T: +93 777753000 / +93 777735720 / +93 777738810
E: jbafig@jubailibros.com



KUWAIT

KUWAIT FREE TRADE ZONE

T: +965 24610356 / 24318547
E: jbkwait@jubailibros.com



GHANA

ACCRA

Plot 43, Spintex Road, Behind Stanbic Bank,
P.O. Box CT6154
T/F: +233 302 817700 E: jbgghana@jubailibros.com



QATAR

DOHA

Al Jeryan-1 Bldg # 393, Gate 2, 1st Floor, Office No. F12,
Salwa Road, P.O. Box 201857
T: +974 4 4160121 F: +974 4 4162257 E: jbqatar@jubailibros.com



SOUTH AFRICA

JOHANNESBURG

E: jb.sa@jubailibros.com

www.JubailiBros.com