

## Simple

Prefabricated and pre-tested, no onsite internal cabling  
Compact 20'HC container design for easy transportation



## Efficiency

Eco-design Transformer Suitable for All  
Lower Self-consumption for Higher Yields



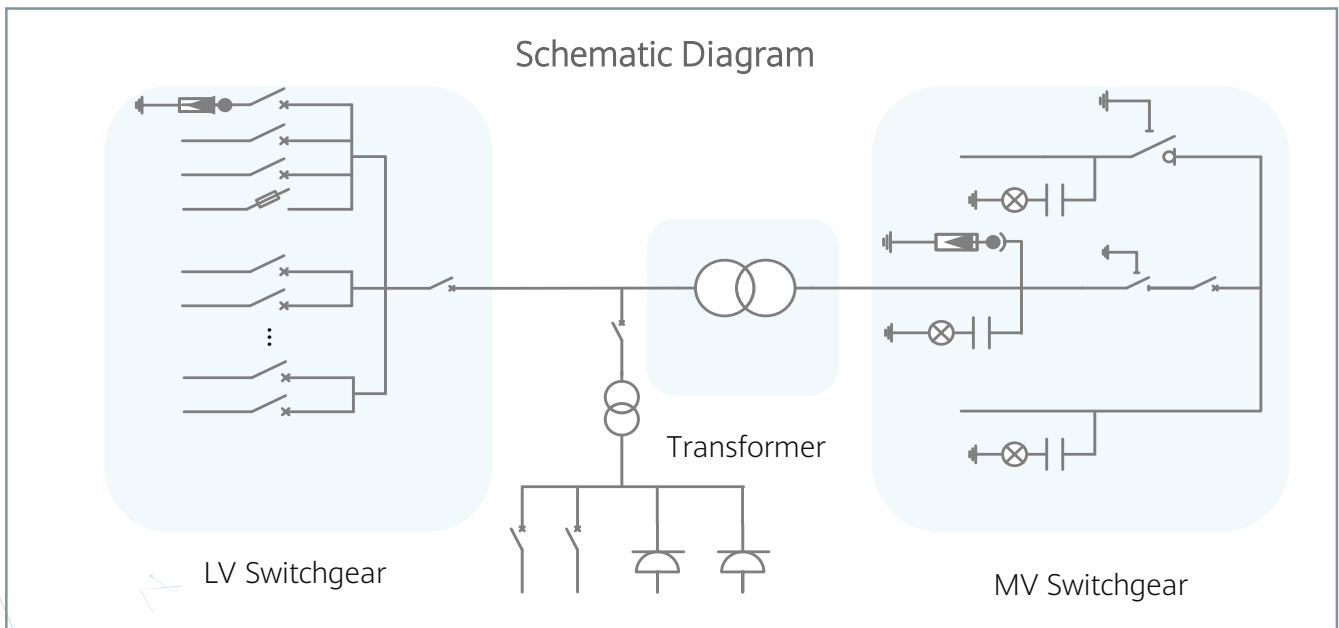
## Smart

Real-time monitoring of transformer, LV and MV switchgear  
0.2% high precision of electricity parameters collection  
Remote control of ACB and MV Circuit Breaker



## Reliable

Robust design against harsh environments  
Innovative cooling design, easy maintenance  
Comprehensive tests from components, device to solutions



# STS-3000K-H1, Ecodesign Technical Specifications

Input							
Available Inverters	SUN2000-185KTL-H1						
AC Power	3,150 kVA @40°C / 2,700 kVA @50°C <sup>1</sup>						
Max. Inverters Quantity	18						
Rated Input Voltage	800 V						
Max. Input Current at Nominal Voltage	2428 A						
LV Panel Type	ACB (2500 A / 800 V / 3P, 1*1 pcs), MCCB (250 A / 800 V / 3P, 1*18 pcs)						
Output							
Rated Output Voltage	10 kV	20 kV	22 kV	30 kV	33 kV	34.5 kV	35 kV
Frequency	50 Hz	50 Hz	50 Hz	50 Hz	50 Hz	60 Hz	50 Hz
Transformer Type	Oil-immersed, Conservator Type						
Tappings	± 2 x 2.5%						
Transformer Oil Type	Mineral Oil						
Transformer Vector Group	Dy11						
Minimum Peak Efficiency Index	In accordance with EN 50588-1						
Transformer Load Losses	27.5 kW	27.5 kW	27.5 kW	30.25 kW	30.25 kW	30.25 kW	30.25 kW
Transformer No-load Losses	2.2 kW	2.2 kW	2.2 kW	2.53 kW	2.53 kW	2.53 kW	2.53 kW
Impedance	7% (0 ~ +10%) @3150 kVA						
MV Switchgear Type	SF6 Gas Insulated, 3 Feeders						
Auxiliary Transformer	5 kVA, Dyn11, Ratio Varies according to Customization						
Protection							
Protection Degree of MV & LV Room	IP 54						
Internal Arcing Fault MV Switchgear	IAC A 20 kA 1s						
LV SPD	Type I+II						
General							
Dimensions (W x H x D)	6,058 x 2,896 x 2,438 mm (20' HC Container)						
Weight	< 15 t						
Operating Temperature Range	-25°C ~ 60°C <sup>2</sup> (-13°F ~ 140°F)						
Relative Humidity	0% ~ 95%						
Max. Operating Altitude	2000 m	2000 m	2000 m	2000 m	2000 m	2500 m	2000 m
Applicable Standards	IEC 60076, IEC 62271-200, IEC 62271-202, EN 50588-1, IEC 61439-1						
Features							
Auxiliary Transformer(50 kVA, Dyn11)	Optional <sup>3</sup> , Ratio Varies according to Customization						
1.5 kVA UPS	Optional <sup>3</sup>						
Updated to CVC or CCV MV Switchgear	Optional <sup>3</sup>						
IMD	Optional <sup>3</sup>						
STS Interlocking	Optional <sup>3</sup>						

- 1 - More detailed AC power of STS, please refer to the de-rating curve.  
 2 - When ambient temperature ≥55°C, awning shall be equipped for STS on site by customer.  
 3 - Extra expense needed for optional features which standard product doesn't contain.