

# Smart String Inverter

SUN2000-90KTL-H1



## Smart

- 12 strings intelligent monitoring and fast trouble-shooting
- Power Line Communication (PLC) supported
- Smart I-V Curve Diagnosis supported

## Efficient

- Max. efficiency 99.0%, European efficiency 98.8%
- 6 MPPTs for versatile adaptations to different layouts

## Safe

- DC disconnect integrated, safe and convenient for maintenance
- Residual Current Monitoring Unit (RCMU) integrated inside
- Fuse free design

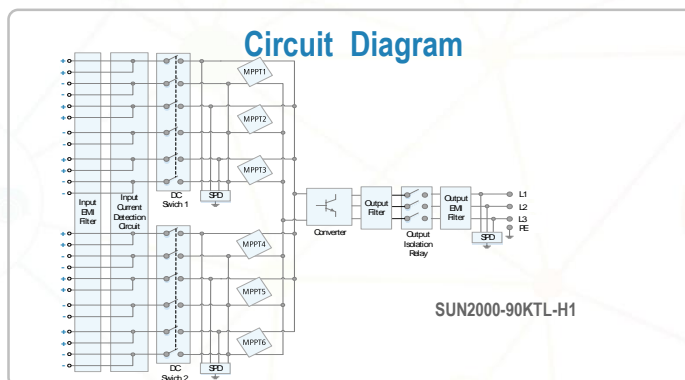
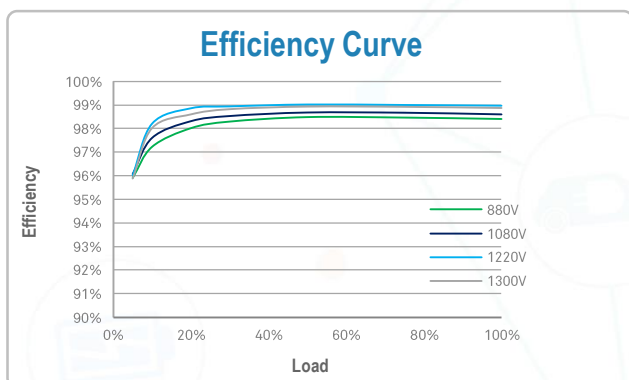
## Reliable

- Natural cooling technology
- Protection rating of IP65
- Type II surge arresters for both DC and AC

# Smart String Inverter (SUN2000-90KTL-H1)



Technical Specifications	SUN2000-90KTL-H1
	<b>Efficiency</b>
Max. Efficiency	99.0%
European Efficiency	98.8%
	<b>Input</b>
Max. Input Voltage	1,500 V
Max. Current per MPPT	22 A
Max. Short Circuit Current per MPPT	33 A
Start Voltage	650 V
MPPT Operating Voltage Range	600 V ~ 1,500 V
Rated Input Voltage	1,080 V
Max. Number of Inputs	12
Number of MPP Trackers	6
	<b>Output</b>
Rated AC Active Power	90,000 W
Max. AC Apparent Power	100,000 VA
Max. AC Active Power (cosφ=1)	100,000 W
Rated Output Voltage	800 Vac, 3W+PE
Rated Output Current	65.0 A
Rated AC Grid Frequency	50 Hz / 60 Hz
Max. Output Current	72.9 A
Adjustable Power Factor	0.8 LG ... 0.8 LD
Max. Total Harmonic Distortion	< 3%
	<b>Protection</b>
Input-side Disconnection Device	Yes
Anti-Islanding Protection	Yes
AC Overcurrent Protection	Yes
DC Reverse-Polarity Protection	Yes
PV-array String Fault Monitoring	Yes
DC Surge Arrester	Type II
AC Surge Arrester	Type II
DC Insulation Detection	Yes
Residual Current Monitoring Unit	Yes
	<b>Communication</b>
Display	LED Indicators, Bluetooth + APP
RS485	Yes
USB	Yes
Power Line Communication (PLC)	Yes
	<b>General</b>
Dimensions (W x H x D)	1,075 x 605 x 310 mm (42.3 x 23.8 x 12.2 inch)
Weight (with mounting plate)	77 kg (169.8 lb. )
Operation Temperature Range	-25 °C ~ 60 °C (-13 °F ~ 140 °F)
Cooling	Natural Convection
Max. Operating Altitude	4,000 m (13,123 ft.)
Relative Humidity	0 ~ 100%
DC Connector	Amphenol UTX
AC Connector	Waterproof PG Terminal + OT Connector
Protection Rating	IP65
Topology	Transformerless
	<b>Standard &amp; Compliance (more available upon request)</b>
Certificate	EN 62109-1/-2, IEC 62109-1/-2, EN 50530, IEC 62116, IEC 62910, IEC 60068, IEC 61683
Grid Code	IEC 61727, UTE C 15-712-1, CEI 0-16/21, C10/11, RD 1699, PO 12.9



The text and figures reflect the current technical state at the time of printing. Subject to technical changes. Errors and omissions excepted. Huawei assumes no liability for mistakes or printing errors. For more information, please visit solar.huawei.com. Version No.01-(201806)